



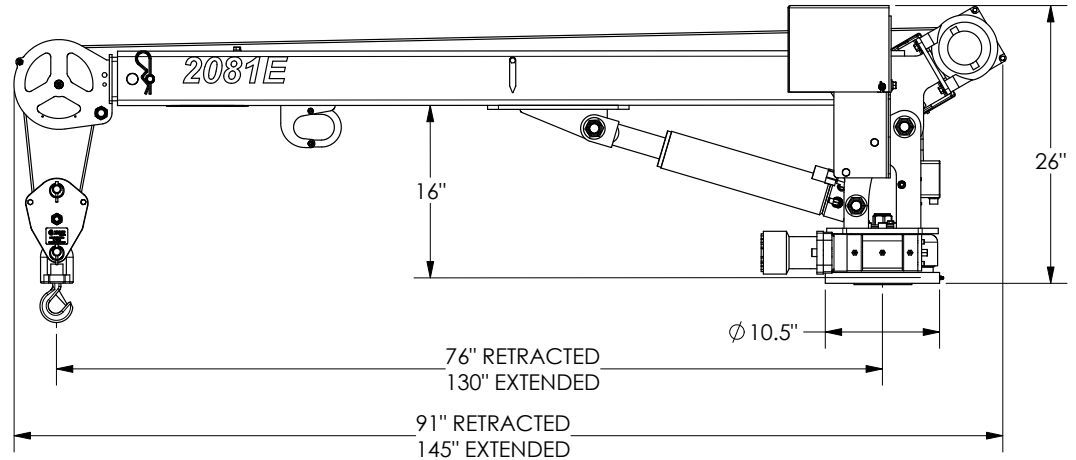
TIGER CRANES

Model 2081E Specifications

Model 2081E Specifications

Dimensional Specifications:

- 11' Reach
- 6' 6"-11' Manual Boom Extension (18" Extension Increments)
- 11' Lifting Height (from base of crane)
- 25.5" Storage Height (from base of crane) (28.5" for tall base version)
- 91" Overall Storage Length
- 11"x11" Mounting Space Required
- 6" Square Bolt Mounting Pattern
- 3/16" X 40' Aircraft Winch Cable
- 425 lbs Operating Weight



Performance Specifications:

- 8,500 ft-lbs Crane Rating
- 2000 lbs Double Line Lift Capacity
- 400 Degrees of Rotation
- (-15) Degrees to +70 Degrees Boom Angle
- Winch Performance (first layer)

LOAD	PART LINE	LIFTING SPEED
0 lbs	1	23.5 FPM
300 lbs	1	21 FPM
600 lbs	1	19 FPM
900 lbs	1	17 FPM
1200 lbs	2	7.5 FPM

- Wireless control with 2 way remote to receiver communication, including winch, rotate, and boom lift functions. (25' tethered remote control option available)
- 10 VDC Cartridge Valves with manual overrides
- Electric planetary winch. Boom mounted for easier stowing.
- Sealed turret
- Crane lift cylinder is equipped with a counterbalance safety valve.
- Optional anti-two-block & overload protection.
- This crane is designed to meet the requirements of ANSI/ASME B30.5 (2011) and OSHA 1910.180.

Minimum Chassis/Power Requirements:

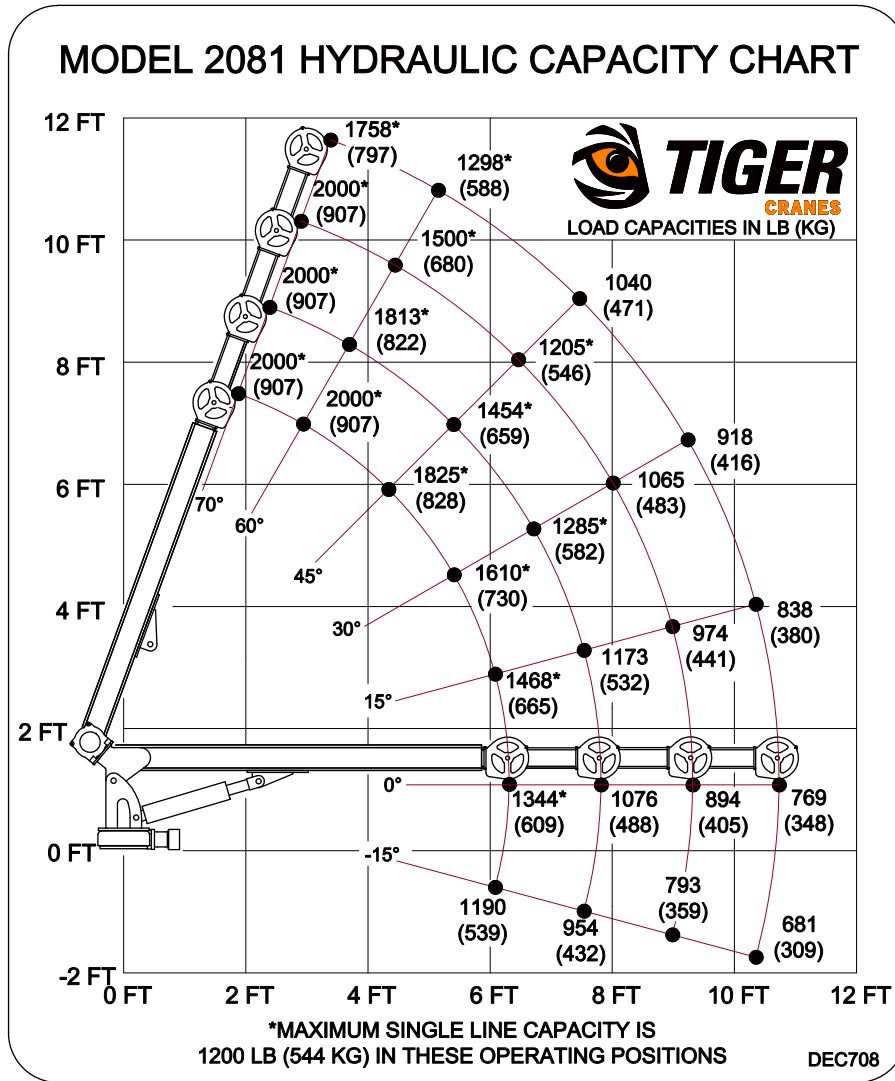
- 10,000 lbs. GVW Rating
- 60" Cab to Axle
- 8,500 ft-lb Rated crane tower reinforcement
- 90 Amp Alternator
- 700 Cold Cranking Amp Battery



TIGER

CRANES

Model 2081E Specifications



Mounting Pattern

